

ZFB Series

Universal Vacuum Filter



UNIVERSAL

Features

- ◇ Filter dust and other particles from the vacuum port
- ◇ Transparent housing, easy to check the degree of contamination
- ◇ Filter elements could be replaced
- ◇ Different nominal flow for option
- ◇ Suitable for vacuum system with light and medium pollution level
- ◇ Could be used for as prefilter, it can effectively filter dust with different degrees



How to order

ZFB 15 B
① ② ③

① Series	② Connection thread	③ Bracket
ZFB	10 - G3/8 female thread 15 - G1/2 female thread 20 - G3/4 female thread 25 - G1" female thread 40 - G1"1/2 female thread	B - Default, with bracket

Selection

Model/Connection thread		20 - G3/4	25 - G1"	40 - G1"1/2
10 - G3/8	15 - G1/2			
ZFB10B	ZFB15B	ZFB20B	ZFB25B	ZFB40B

Technical parameters

Model	Rated operating pressure range kPa	Material	Nominal flow NL/min	Internal volume cm ³	Filter area m ²	Removal efficiency μm	Working temperature °C	Weight g
ZFB10B	-100~0	PA, PC, PE	150	45	0.003	10	-20~80	70
ZFB15B	-100~0	PA, PC, PE	900	195	0.010	10	-20~80	168
ZFB20B	-100~0	PA, PC, PE	900	205	0.010	10	-20~80	170
ZFB25B	-100~0	PA, PC, PE	2,520	495	0.019	10	-20~80	424
ZFB40B	-100~0	PA, PC, PE	5,100	675	0.023	10	-20~80	550

ZFA

ZFE

ZFD

ZFB

ZFL

ZFP

ZVAB

ZVAC

ZVAA

ZVEA

ZVR

ZVRM

ZVCM

ZVD

ZVT

ZVS

ZPDT

ZPDE

ZPMR

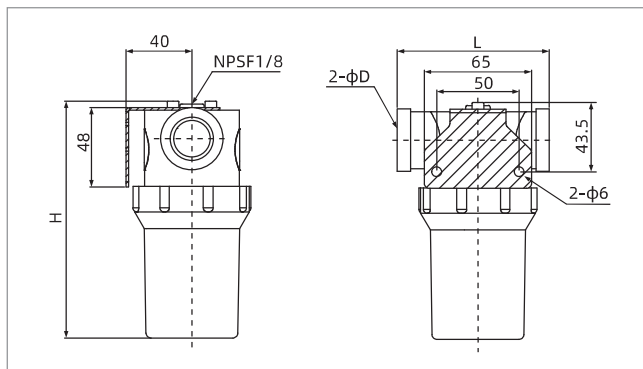
ZSA

ZFB Series

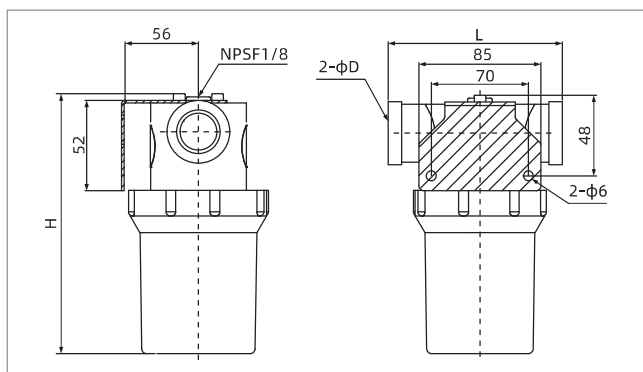
Universal Vacuum Filter



Dimensions (mm)



ZFB10(15-20)B



ZFB25B ZFB40B

Model/Size	H	L	D
ZFB10B	74.5	76.5	2-G3/8
ZFB15B	134.5	91.5	2-G1/2
ZFB20B	143.5	92	2-G3/4

Model/Size	H	L	D
ZFB25B	169.5	127	2-G1"
ZFB40B	212.5	127	2-G1"1/2

Repair kits



Item	Model	Size	Applicable vacuum filter
Filter element	ZFB10-FE	15×26×L35	ZFB10
	ZFB20-FE	27.5×39×L90	ZFB15、20
	ZFB25-FE	45×57×L104	ZFB25
	ZFB40-FE	45×57×L136	ZFB40

◇ Note: The minimum packing quantity of filter element is 10pcs/bag